



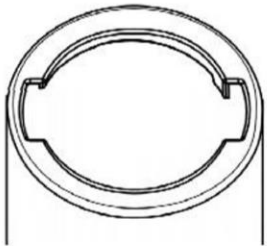
Measurement Points for Fuel Neck Adapters

# Compatibility



HEAVY COMMERCIAL VEHICLES  
EUROPEAN MANUFACTURERS

2-POINT BAYONET

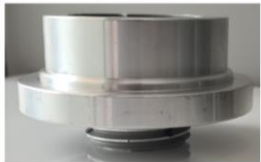


DAF  
Daimler  
Ford  
Iveco  
MAN  
Renault  
Volvo

INTERNAL THREAD

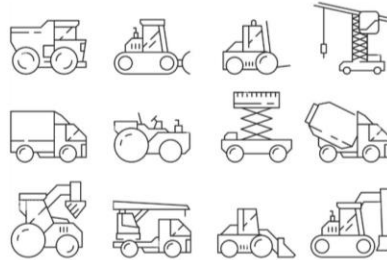


Scania  
**WITH ADAPTER**



HEAVY MACHINERY

VARIOUS SEGMENTS

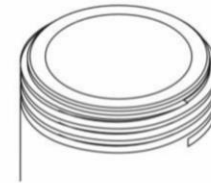


Various Brands  
**WITH ADAPTER!**

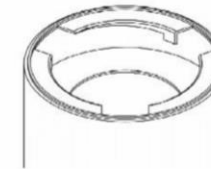
- Please provide:
- Vehicle **brand**
  - Vehicle **model**
  - Fuel tank **dimensions**
  - Fuel tank **images**



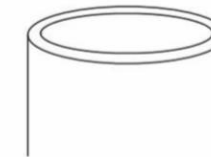
HEAVY COMMERCIAL VEHICLES  
OTHER MANUFACTURERS



EXTERNAL THREAD  
Freightliner, Kenworth, Mack



3-POINT BAYONET  
Asian Brands



BARE NECK

CUSTOM ADAPTERS CAN BE DEVELOPED

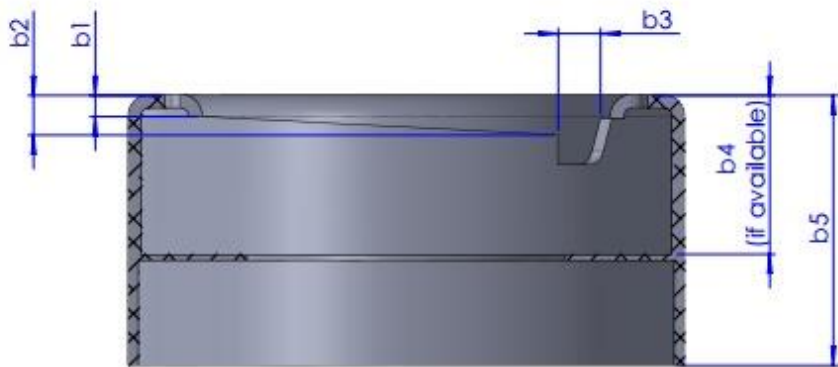
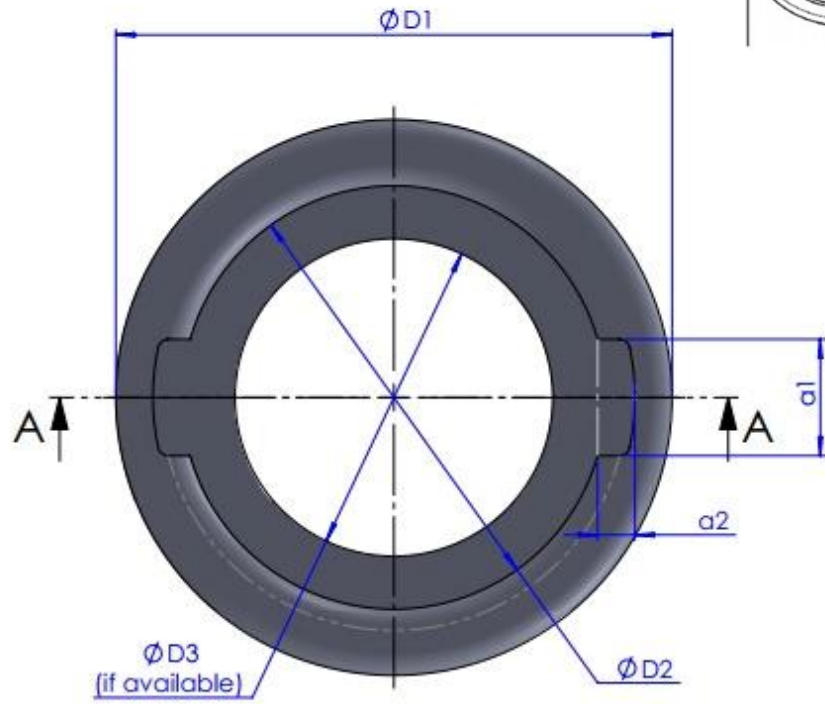
# Compatibility

Trak is capable to provide you adapters which converts your fuel neck to Trak Smart Fuel Cap compatible version.

Please check your fuel neck, and provide the dimension measurements based on your neck type. In addition to those measurements, please also provide following information as well;

- Provide the pictures of the fuel neck,
- Provide the pictures of the current fuel cap,
- Provide the pictures of the fuel tank environment to prevent any interference.

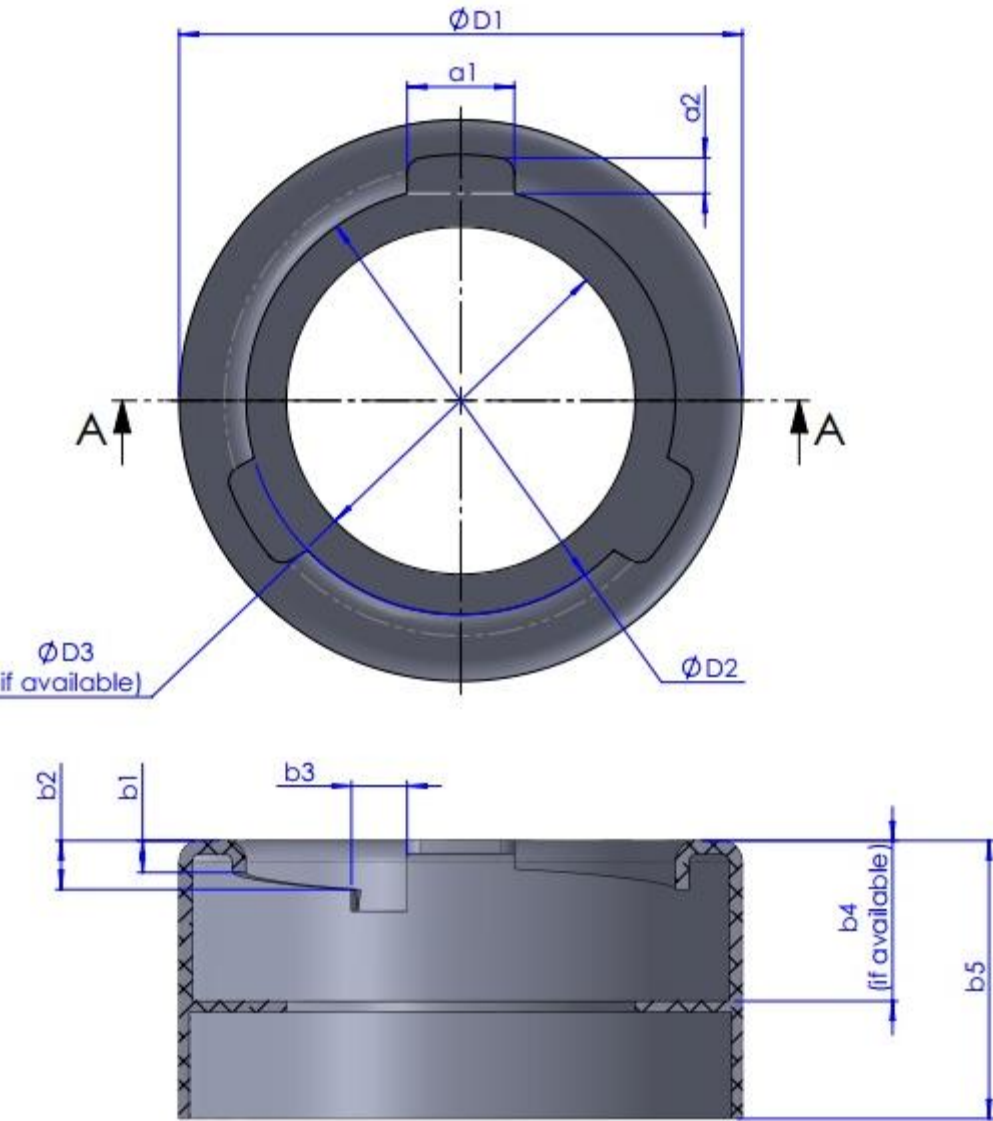
# 2 Bayonette Fuel Neck



SECTION A-A

Dimension	Vehicle-1	Vehicle-2	Vehicle-3	Vehicle-4
Vehicle Brand&Model				
$\phi D1$ (mm)				
$\phi D2$ (mm)				
$\phi D3$ (mm)				
$a1$ (mm)				
$a2$ (mm)				
$b1$ (mm)				
$b2$ (mm)				
$b3$ (mm)				
$b4$ (mm)				
$b5$ (mm)				

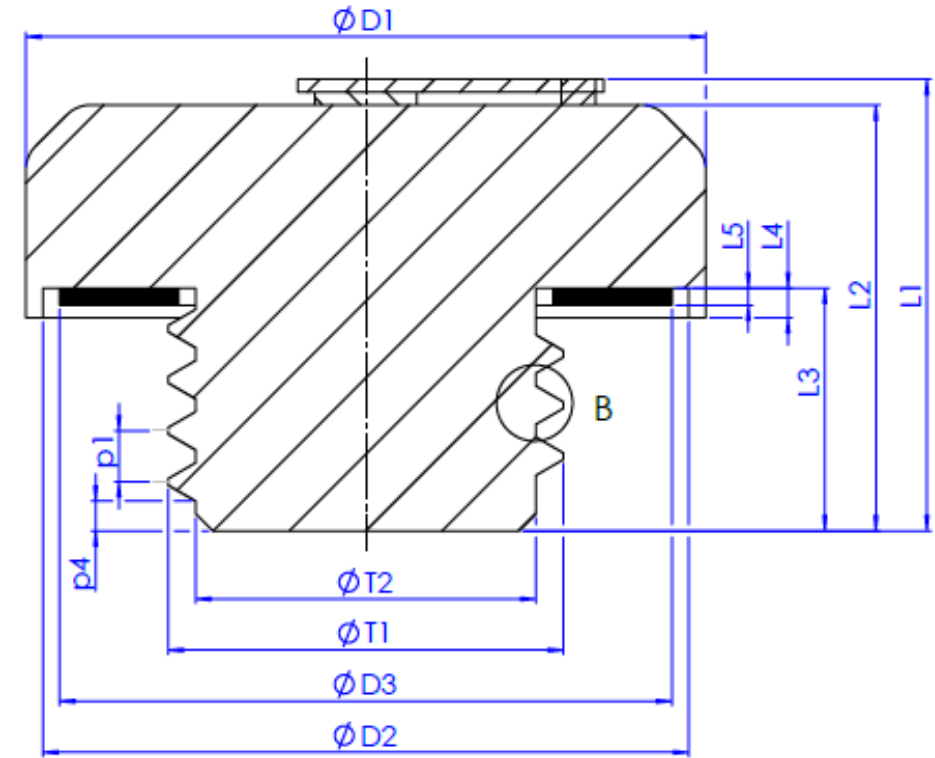
# 3 Bayonette Fuel Neck



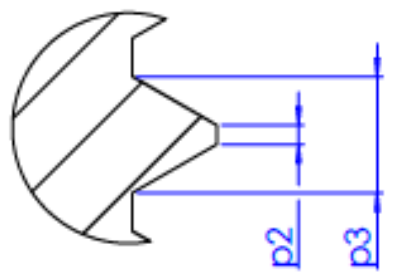
SECTION A-A

Dimension	Vehicle-1	Vehicle-2	Vehicle-3	Vehicle-4
Vehicle Brand&Model				
ØD1 (mm)				
ØD2 (mm)				
ØD3 (mm)				
a1 (mm)				
a2 (mm)				
b1 (mm)				
b2 (mm)				
b3 (mm)				
b4 (mm)				
b5 (mm)				

# Internal Thread Fuel Neck



DETAIL B



Dimension	Vehicle-1	Vehicle-2	Vehicle-3	Vehicle-4
Vehicle Brand&Model				
ØD1 (mm)				
ØD2 (mm)				
ØD3 (mm)				
ØT1(mm)				
ØT2 (mm)				
p1 (mm)				
p2 (mm)				
p3 (mm)				
p4 (mm)				
L1 (mm)				
L2 (mm)				
L3 (mm)				
L4 (mm)				
L5 (mm)				

The logo for Otrak features a red circular icon on the left, resembling a stylized 'O' with a black teardrop shape inside. To the right of the icon, the word "otrak" is written in a bold, italicized, black sans-serif font.

**otrak**